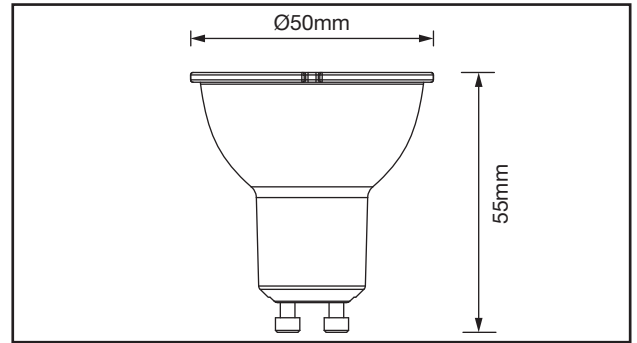


AGU470D / **

4.7W, High Output,
Dimmable LED GU10



PRODUCT FEATURES

- Advanced OptiDim Technology
- High Lumen Output
- Energy Saving up to 92%
- Direct Replacement For Standard GU10
- Retrofit Size
- Labour Saving
- Low Waste Eco Packaging

TECHNICAL SPECIFICATIONS

Product Code	AGU470D/27	AGU470D/30	AGU470D/40	AGU470D/60
Luminous Flux (LM)	443lm	430lm	486lm	498lm
Useful Luminous Flux (LM)	380lm	365lm	414lm	424lm
CCT (Kelvin)	2700K	3000K	4000K	6500K
Beam Angle (°)	36°	36°	36°	36°
SDCM	<6	<6	<6	<6
CRI	>80	>80	>80	>80
Peak Intensity (cd)	617	558	639	646
Operating Voltage (V)	220-240VAC	220-240VAC	220-240VAC	220-240VAC
Max Output Power (W)	4.7W	4.7W	4.7W	4.7W
Operating Current (A max)	0.03A	0.03A	0.03A	0.03A
Power Factor (P _f)	0.7	0.7	0.7	0.7
Class	II	II	II	II
Body Material	Polymer	Polymer	Polymer	Polymer
Frame Colour	White	White	White	White
Switching Cycles	>50,000	>50,000	>50,000	>50,000
Ingress Protection	IP20	IP20	IP20	IP20
Ambient Operating Temperature (°C)	-20°C ~ +45°C	-20°C ~ +45°C	-20°C ~ +45°C	-20°C ~ +45°C
Input Frequency (Hz)	50Hz	50Hz	50Hz	50Hz
Guarantee	2 Years	2 Years	2 Years	2 Years
Dimmable	Yes	Yes	Yes	Yes
Dimming Mode (Trailing or Leading)	Leading and Trailing	Leading and Trailing	Leading and Trailing	Leading and Trailing
Lifetime (L70 B50)	15,000 Hrs	15,000 Hrs	15,000 Hrs	15,000 Hrs
Survival Factor	0.9	0.9	0.9	0.9
Lumen Maintenance Factor	0.931	0.931	0.931	0.931
Flicker Metric (PstLM)	1	1	1	1
Stroboscopic Effect Metric (SVM)	0.4	0.4	0.4	0.4



VERY WARM WHITE
2700K

WARM WHITE
3000K

COOL WHITE
4000K

ULTRA DAY LIGHT
6500K

DESIGNED IN
BRITAIN

15,000H

SMD LED

INDOORS ONLY

CLASS 2

240V AC

≤498lm

36°

4.7W

DIM

2 YEAR
GUARANTEE

F